

SB2DALIT8230



DALI master for DALI type 8 (DALI 2) tunable white lamps



Benefits

- **Well-being and productivity.** Tunable White management help you mix warm and cool white light and light intensity so that you can mimic outdoor lighting conditions.
- **Energy and cost savings.** Dimming and constant light control optimise and save energy use.
- **Simple.** DALI devices can work straight out of the box for the simplest systems.
- **Flexible.** DALI devices can be reconfigured without having to touch the wiring.
- **Scalable.** DALI can function on small and large systems, with subnets in a large building.
- **Robust.** DALI works best with other DALI devices but can also be translated.
- **Recognised standard.** DALI is a recognised, widely used standard and is therefore compatible with a large range of ballasts.

Description

The SB2DALIT8230 is a DALI Master which can control any type of DALI ballast, dimming intensity and tuning colour (DALI 2) from warm (2700K) to cold (6500K) white.

The unit can be connected to the Smart Dupline® bus at any point, and up to 64 lighting actuators can be connected to the DALI bus output.

The lighting control functions (such as the constant light zone control, colour temperature adjustment and the corridor lighting) are performed by the Sx2WEB controller.

All the physical I/O points as well as the function parameters and control flags are made available as BACnet objects on BACnet/IP, hence allowing easy integration to any BMS system.

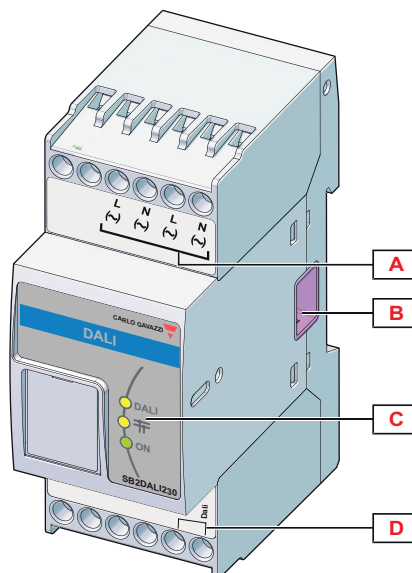
Applications

CARLO GAVAZZI tunable white solutions offer the freedom to create different ambiances in offices, schools, retail spaces, and healthcare environments.

Main features

- Integrated DALI power supply
- BACnet/IP link via SB2WEB
- Can be installed at any point of the Dupline® network
- Up to 7 DALI masters on one Dupline® network

Structure

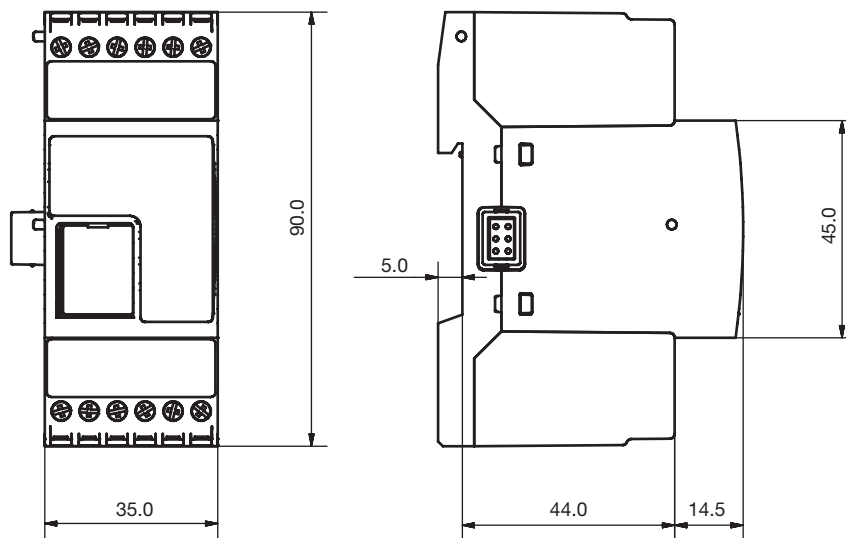


Element	Component	Function
A	Power supply	Power supply connection block (IN, left/OUT, right)
B	Local bus port (left side and right side)	Left side: connecting the SH2MCG24, SH2WBU230N, SH2DUG24, Dupline modules. Right side: connecting the SH2MCG24, SH2WBU230N, SH2DUG24, Dupline modules.
C	Information LED	Indicating the following status: Green LED: Power supply Yellow LEDs: Dupline® bus and DALI status
D	DALI bus	Connection to DALI bus

Features

General

Material	Noryl
Dimensions	2-DIN module
Weight	150 g
Protection grade	Front: IP50; Screw terminal: IP20
Dielectric strength	Power supply to Dupline®: 500 V AC for 1 min. (IEC60664-1, TAB. A.1); Dupline® to output: 6 KV impulse 1.2/50 μ s (IEC60664-1, TAB. A.1)
Terminal	6 screw-type; Section: 1.5 mm ² maximum, 0.25 mm ² minimum; Torque:0.8 Nm



Environmental

Operating temperature	-20° to +50°C (-4° to 122°F)
Storage temperature	-50° to +85°C (-58° to 185°F)
Humidity (non-condensing)	20 to 80% RH

Compatibility and conformity

Electromagnetic compatibility (EMC) - immunity	EN 61000-6-2
Electromagnetic compatibility (EMC) - emissions	EN 61000-6-3
Approvals	

Power Supply

Power Supply	Overvoltage cat. III (IEC 60664-1, par. 4.3.3.2); Rated operational voltage: 115 to 240 VAC
Rated operational power	9 VA
Connection	2xL and 2xN (2 pairs of terminals internally connected)
Power on delay	Typ. 5 s
Power off delay	Typ. less than 1 s

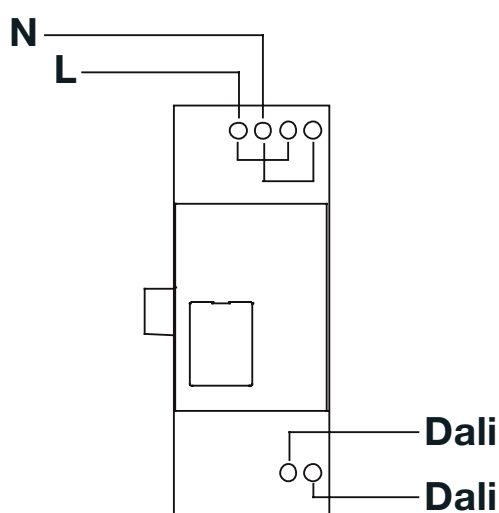
Dupline®

Voltage	8.2 V
Maximum Dupline® voltage	10 V
Minimum Dupline® voltage	5.5 V
Maximum Dupline® current	1.1 mA

DALI specifications

DALI compliance	This control device is designed for use with products compliant to the following standards: IEC 62386-101, 102, 201, 202 (ON/OFF/DIM only), 203, 204, 205, 206, 207, 208, 209 (TC only, RGBWAF only using TC table conversion)
DALI voltage	14 V
Max load	130 mA
Number of DALI devices	64

Connection Diagrams



References

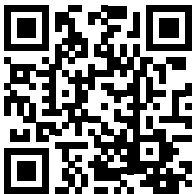
Further reading

Information	Document	Where to find it
Sx2WEB installation guide	System manual	www.productselection.net/MANUALS/UK/system_manual.pdf
Sx2WEB software manual	Sx tool manual	www.productselection.net/MANUALS/UK/sx_tool_manual.pdf

Order code



SB2DALIT8230



COPYRIGHT ©2015
Content subject to change. Download the PDF: www.productselection.net